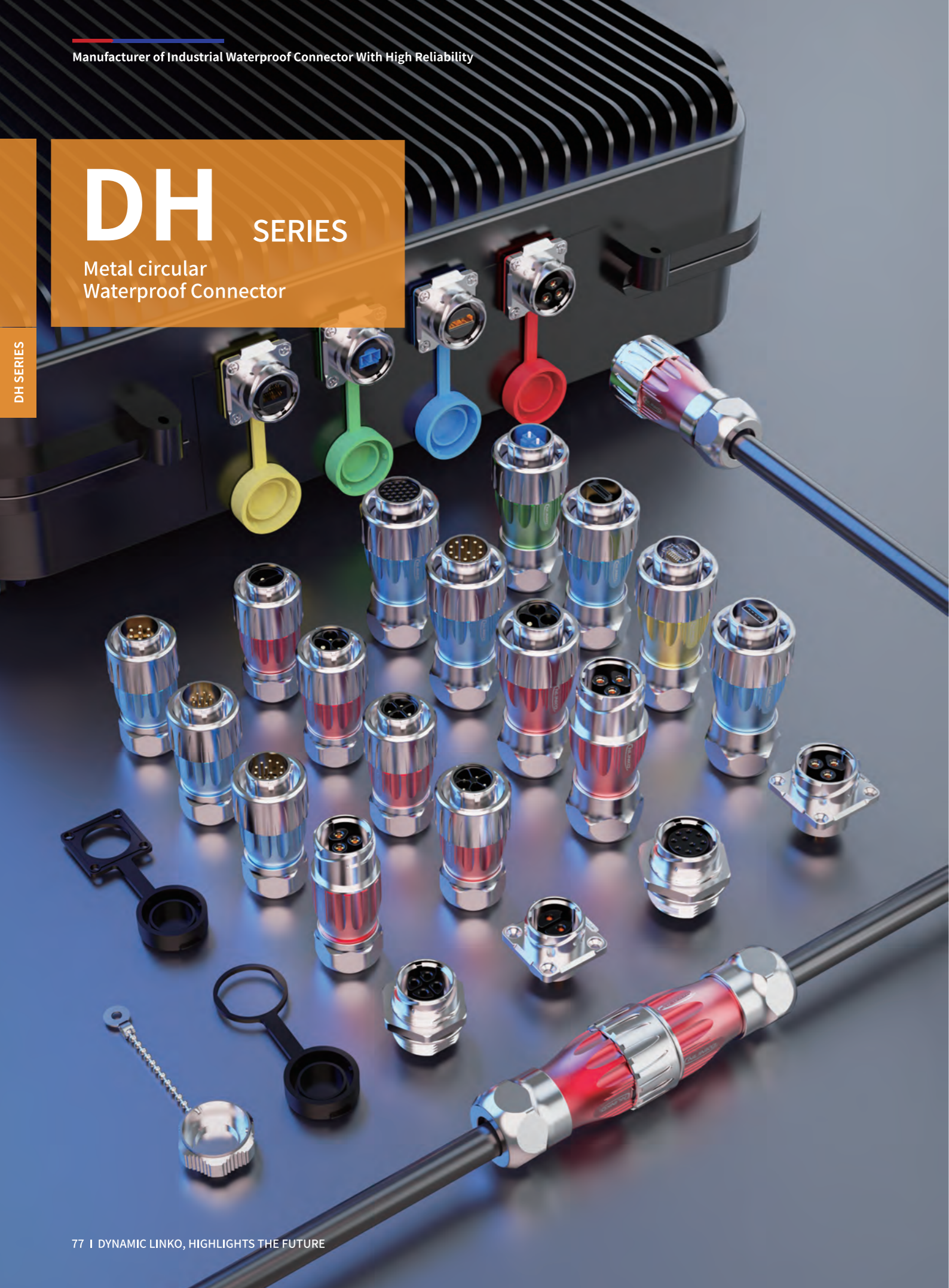


# DH SERIES

Metal circular  
Waterproof Connector

DH SERIES

DH SERIES



## DH waterproof connector application type

CNLINKO's DH (M20, M24 type) waterproof connector adopts metal shell, and adopts a unique spring-type connection as a whole, and a rotary locking connection. Precise internal construction and sturdy metal shell structure provide safe and stable connection and transmission performance and ensure the stability of the electrical performance of the device during use.

• Series product information:

Series code:	DH-20、DH-24
Hole size:	Please refer to the external dimension drawing for detailed hole size.
Application types:	Multi-PIN type (2, 3, 4, 5, 7, 9, 10, 12, 14, 19, 24 pins and customized 3+2, 2+6, etc.) Signal (RJ45, optical fiber) Data (USB2.0, USB3.0, HDMI)
Material type:	Metal type

• Introduction:

Product types include power, multi-core, mixed, USB2.0, USB3.0, HDMI, RJ45, optical fiber total eight categories. Full metal alloy shell, high impact strength, With the completed standard three point screw locking, it can be operated with one hand, which is easy to operate, safe and reliable.

• Main body material, process and surface treatment:

Shell:	Material: Metal	Surface treatment: Chrome plating/anodizing
	Production Process: Die Casting & Machining	

• Module material, process and surface treatment:

Contact:	Material: Male/Female Pin (Copper Alloy)	Production Process: Machining & Stamping
	Surface Treatment: Gold plated over nickel	
LC Fiber Contact Material:	Male/Female end (High Modulus Glass Fiber)	
Insulator:	Material: Engineering Plastic	Production process: injection molding

• Packaging and Storage:

The product is in a sealed bag, with a small box in the large box, and a label on the small box. The label indicates the product name, model, batch number, and number of products. Packaged products are recommended to be stored in a warehouse with an ambient temperature of 25°C±3°C, a relative humidity of ≤72%, and no acidic, alkaline and other corrosive gases in the surrounding air. Other storage environments may affect product life.

• Check the official website DH series area:

Scan the QR code below to check the DH area of CNLINKO's official website. If you have any doubts, you can contact the online customer service for more detailed product information.



QR code of DH series



Installation Video of DH Series

## Applications



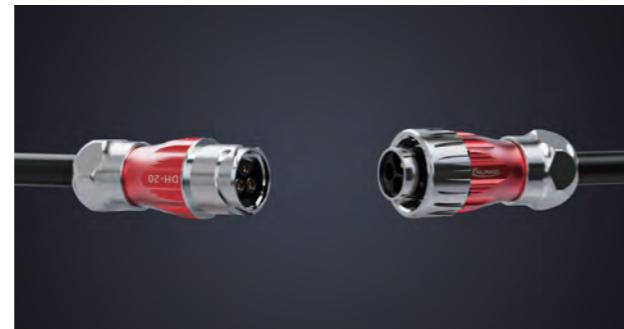
DH-20 series products are used in a medical equipment

## Features Overview



### Strong anti-vibration and anti-shock

The shell is made of all-metal alloy material with high compressive and tensile strength, which can resist the influence of external vibration and shock.



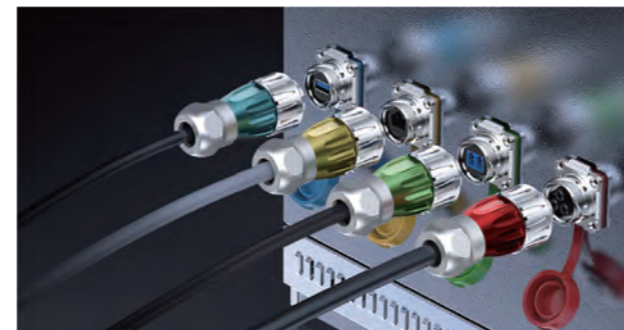
### Secure connection and secure locking

With bayonet connection and three-point locking structure design, the retention force is large, and the connection is super stable.



### Resistant to high temperature and severe cold

The DH series can adapt to the wide temperature environment of -40~+85°C, and fully meet the test of the outdoor climate environment.



### Visualize color distinction

Four colors to visually distinguish power, signal, fiber and data. Types can be identified at a glance to avoid mis-insertion.

## Type and Style



### High vibration and impact resistance

All-metal version to meet the requirements of high vibration resistance and shock resistance. DH series are all metal models, made of high-quality high-strength alloy materials, which can be used in vibration and shock environments such as vehicles and workshops.



### Flexible installation methods

The DH series has three installation methods: Straight receptacle, Flange receptacle, and Floating connector. Users can choose according to actual application scenarios.



### A variety of cable assembly methods

DH series provides product types with screw and welding. The screw is quick and convenient, and the welding is more reliable. The conventional model is a welding model, and it supports customization of the lock screw model.



### Color can be customized

Color can be customized, your exclusive style. At present, the main colors of the DH series shells include red, yellow, blue, and green. We can also customize other colors to meet the individual needs of users.

## Product Structure Image

Dozens of high-quality parts are precisely engaged to ensure the safety and stability of the connector.



# Series Infographic



DH SERIES

DH SERIES

## DH-20 Series Information Overview P83

Product application type:	Power: 2/3/4 Pin
	Signal: 5/7/9/12/14 pin
Cable O.D:	Voltage Rating: 300V (2~5, 7pins) , 250V (8-pins hybrid, 9, 12, 14pins) Current Rating: 20A (2~4pins) ,20A+5A (8-pins hybrid) ,10A+5A (5-pins hybrid) , 10A (5, 7pins) , 5A (9, 12, 14pins)
	Multi-pin type: Φ5.0~6.5mm、Φ6.5~8.5mm、Φ8.5~10.0mm、Φ10.0~12.0mm
Details page:	Product Parameter Map: P83      Dimension Drawing: P85

## DH-24 Series Information Overview P87

Product application type:	Power: 2/3/4 pin
	Signal: 10/12/19/24 pin, RJ45, Optical fiber      Data: USB, HDMI
Cable O.D:	Voltage Rating: 500V (2, 3, 10, 12pins) , 300V (2~4pins) , 250V (19, 24pins) , 230V (3pins) Current Rating: 45A(3pins), 35A(2, 3pins), 25A(2~4pins), 10A(10, 12pins), 5A(19, 24pins)
	Multi-pin type: Φ5.0~7.0mm、Φ7.0~10.5mm、Φ10.5~14.0mm
Details page:	Data type: Φ5.0~Φ7.0mm (USB, HDMI)
	Signal type: Φ5.0~Φ7.0mm (RJ45) , Φ5.0~Φ7.0mm (Optical fiber)
Details page:	Product Parameter Map: P87      Dimension Drawing: P89

**Main feature:**

- Multiple styles of inner core design, multiple PIN types, signal RJ45, optical fiber, data USB, HDMI, etc;
- Adopt military standard three-point screw type tightening connection;
- Effectively reduce electromagnetic and signal RF interference caused by external high current;
- Unique docking design, stable and infinite extension of the cable length;
- The signal transmission is fast and stable, and the data transmission can reach 10Gbps;
- The product complies with the IP67 protection level when connected.



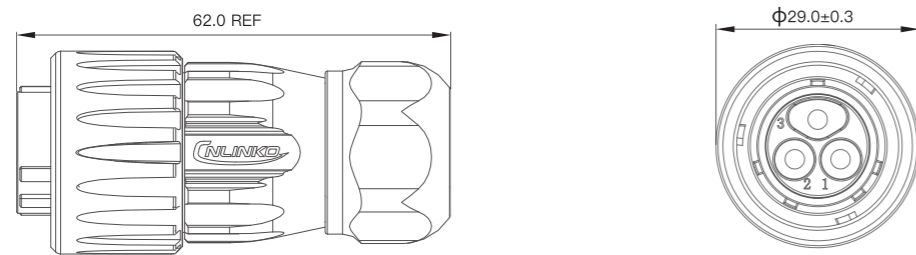
**DH-20 Datasheet**

# DH-20

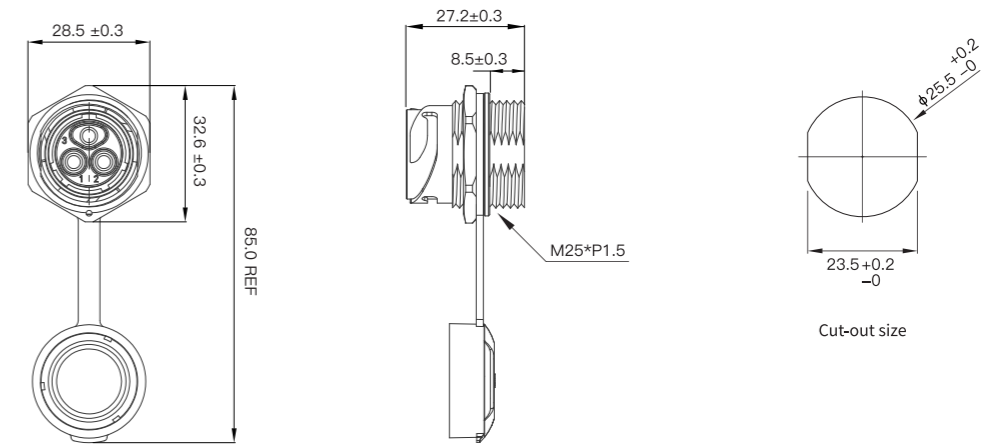
<b>DH20</b> <b>Power/Signal</b>	Product Series		DH-20						DH-20													
	Pin Number		2PIN		3PIN		4PIN		5PIN		5PIN		7PIN		8PIN		9PIN		12PIN		14PIN	
	Contact Layout																					
	Current Rating(A)		20		20		20		10		10/5		10		20/5		5		5		5	
	Voltage Rating(V)		300		300		300		300		300		300		250		250		250		250	
	Cable O.D(mm)		φ5.0~φ6.5		φ6.5~φ8.5		φ8.5~φ10.0		φ10.0~φ12.0				φ5.0~φ6.5		φ6.5~φ8.5		φ8.5~φ10.0		φ10.0~φ12.0			
	Wire Gauge		2.5-4.0mm <sup>2</sup> /14-12AWG		2.5-4.0mm <sup>2</sup> /14-12AWG		2.5-4.0mm <sup>2</sup> /14-12AWG		1.0-1.5mm <sup>2</sup> / 18-16AWG		1.0-1.5mm <sup>2</sup> / 18-16AWG 0.34-0.5mm <sup>2</sup> /22-20AWG		1.0-1.5mm <sup>2</sup> / 18-16AWG		2.5-4.0mm <sup>2</sup> /14-12AWG 0.34-0.5mm <sup>2</sup> /22-20AWG		0.34-0.5mm <sup>2</sup> /22-20AWG		0.34-0.5mm <sup>2</sup> /22-20AWG		0.34-0.5mm <sup>2</sup> /22-20AWG	
	Protection Level		Connection Status IP68						Connection Status IP68													
Terminal Type		Soldering/Screwing		Soldering/Screwing		Soldering		Soldering		Soldering		Soldering		Soldering		Soldering		Soldering		Soldering		
Illustration	Material	Part No										Part No										
<b>plug</b> 	Male	DH-20-C02PE-03-001A	DH-20-C03PE-03-001A	DH-20-C04PE-03-001A	DH-20-C05PE-03-001A					DH-20-C05PE-03-0XXA	DH-20-C07PE-03-001A	DH-20-C08PE-03-001A	DH-20-C09PE-03-001A	DH-20-C12PE-03-001A	DH-20-C14PE-03-001A							
	Female	DH-20-J02PE-03-001A	DH-20-J03PE-03-001A	DH-20-J04PE-03-001A	DH-20-J05PE-03-001A					DH-20-J05PE-03-0XXA	DH-20-J07PE-03-001A	DH-20-J08PE-03-001A	DH-20-J09PE-03-001A	DH-20-J12PE-03-001A	DH-20-J14PE-03-001A							
<b>In-line Receptacle</b> 	Male	DH-20-C02PP-03-001A	DH-20-C03PP-03-001A	DH-20-C04PP-03-001A	DH-20-C05PP-03-001A					DH-20-C05PP-03-0XXA	DH-20-C07PP-03-001A	DH-20-C08PP-03-001A	DH-20-C09PP-03-001A	DH-20-C12PP-03-001A	DH-20-C14PP-03-001A							
	Female	DH-20-J02PP-03-001A	DH-20-J03PP-03-001A	DH-20-J04PP-03-001A	DH-20-J05PP-03-001A					DH-20-J05PP-03-0XXA	DH-20-J07PP-03-001A	DH-20-J08PP-03-001A	DH-20-J09PP-03-001A	DH-20-J12PP-03-001A	DH-20-J14PP-03-001A							
<b>Single hole straight Receptacle</b> 	Male	DH-20-C02SX-03-101A	DH-20-C03SX-03-101A	DH-20-C04SX-03-101A	DH-20-C05SX-03-101A					DH-20-C05SX-03-1XXA	DH-20-C07SX-03-101A	DH-20-C08SX-03-101A	DH-20-C09SX-03-101A	DH-20-C12SX-03-101A	DH-20-C14SX-03-101A							
	Female	DH-20-J02SX-03-101A	DH-20-J03SX-03-101A	DH-20-J04SX-03-101A	DH-20-J05SX-03-101A					DH-20-J05SX-03-1XXA	DH-20-J07SX-03-101A	DH-20-J08SX-03-101A	DH-20-J09SX-03-101A	DH-20-J12SX-03-101A	DH-20-J14SX-03-101A							
<b>Four-hole flange Receptacle</b> 	Male	DH-20-C02SX-03-401A	DH-20-C03SX-03-401A	DH-20-C04SX-03-401A	DH-20-C05SX-03-401A					DH-20-C05SX-03-4XXA	DH-20-C07SX-03-401A	DH-20-C08SX-03-401A	DH-20-C09SX-03-401A	DH-20-C12SX-03-401A	DH-20-C14SX-03-401A							
	Female	DH-20-J02SX-03-401A	DH-20-J03SX-03-401A	DH-20-J04SX-03-401A	DH-20-J05SX-03-401A					DH-20-J05SX-03-4XXA	DH-20-J07SX-03-401A	DH-20-J08SX-03-401A	DH-20-J09SX-03-401A	DH-20-J12SX-03-401A	DH-20-J14SX-03-401A							

## DH-20 Dimension Drawing (unit: mm)

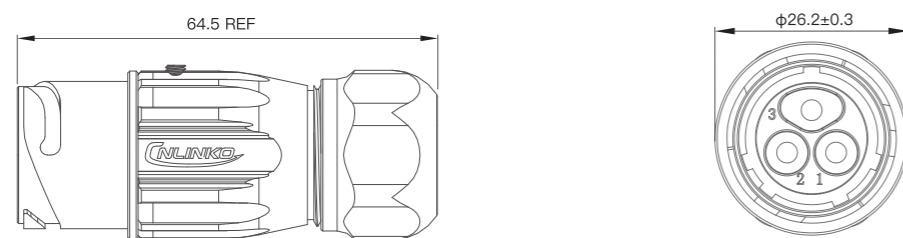
Plastic plug



Single hole straight receptacle



In-line receptacle



Four-hole flange receptacle

